

LINEAR 6-12 SECTION

**Please Read Instructions Carefully
Save for Future Reference**

WARNING

If the information in this manual is not followed exactly, a fire explosion may result causing property damage, personal injury or loss of life.

DANGER

WHAT TO DO IF YOU SMELL GAS

- Do not try to light any appliance
- Do not touch any electric switch; do not use any phone in your building
- Immediately call your gas supplier from another location. Follow the gas supplier's instructions.
- If you can not reach your gas supplier call the fire department

Manufactured by:

**Biasi S.p.A.
Verona, Italy**

Distributed By:

QHT

QUINCY HYDRONIC TECHNOLOGY, INC.

3560 LAFAYETTE RD

PORTSMOUTH, NH 03801

PHONE: 603-334-6400

FAX: 603-334-6401

Dear Customer:

Thank you for buying a Linear commercial boiler.

The Linear is a cast iron, oil or gas fired hot water boiler, using the famous 3-pass design. The boiler is simple, rugged and engineered for maximum heating efficiency.

We realize that it is not possible to answer all questions about the Linear series boiler in this manual. Reading this installation manual does not make the reader an expert in all aspects of installation and operation, and does not replace the need for a qualified, licensed heating contractor. We urge you to contact your installing contractor or distributor if you are in question about any aspect of your boiler's performance. Our main concern is that you are satisfied with your boiler and its performance. We require that your contractor complete efficiency tests using instruments.

The controls and accessories listed in this manual are intended to serve as guidelines rather than specific recommendations. We realize that other makes and models of such devices are available and can be used as successfully as those we specify. The installing contractor is the best judge of a system's specific requirements, as well as the local availability of certain makes and models of controls and accessories. The preceding does not apply, however, to the equipment that comes with every boiler, such as the overheat control and pressure relief valve. **The installation of the specific devices supplied with every boiler is absolutely necessary to the safe operation of the boiler and protection of the heating system.**

This Linear boiler has a limited warranty, a copy of which is provided with the boiler. Please be sure to return the warranty registration card as the warranty will be void without your boiler's serial numbers, date of installation and the name of your installer being on record in our files.

Thank you for purchasing our B-40 Linear series boiler. If you have questions or comments, please don't hesitate to contact us immediately. Our goal is 100% customer satisfaction.

TABLE OF CONTENTS

BIASI B-40 Linear Series	Section	Page
Important Information	1	4
General Information	2	6
Codes and Regulations	3	6
Combustion Air Supply	4	7
Boiler Location	5	7
Boiler Block Assembly	6	8
Boiler Trim Kit Installation	7	8
Boiler Tapping Diagram	-	9
Burner Set-up	8	10
Gas Piping	9	12
Breeching and Chimney	10	14
Piping	11	15
Boiler Jacket Assembly	12	17
Boiler Jacket Explosion Diagram	-	18
Wiring	13	19-22
Commissioning	14	24
Maintenance	15	24
Installer Notes	16	25

IMPORTANT INFORMATION
Please read this page carefully.

ALL BOILERS MUST BE INSTALLED IN ACCORDANCE WITH NATIONAL, STATE AND LOCAL PLUMBING, HEATING AND ELECTRICAL CODES AND ORDINANCES, AS WELL AS THE REGULATIONS OF THE SERVING ELECTRICAL, WATER AND GAS UTILITIES.

All systems should be designed by competent contractors, and only persons knowledgeable in the layout and installation of heating systems should attempt the installation of any boiler.

It is the responsibility of the installing contractor to see that all controls are correctly installed and operating properly when the installation is completed.

Do not burn volatile garbage, gasoline, naphtha or other flammable liquids other than No. 2 fuel oil. All flammable liquids (especially gasoline), chemicals, rags, paper, wood scraps, debris, etc., should be kept away from the boiler at all times. Keep the boiler area clean and free of all fire hazards.

Please read the literature and warranties supplied by the manufacturers of the various accessory equipment. This equipment is warranted by the respective manufacturers, not by Quincy Hydronic Technologies, Inc. Each piece of equipment must be installed and used according to the recommendations of the manufacturer.

This Linear boiler has a limited warranty, a copy of which is printed on the back page of this manual.

WARNING

Any appliance that burns natural gas, propane gas, fuel oil, wood or coal is capable of producing carbon monoxide (CO). Carbon Monoxide (CO) is a gas which is odorless, colorless and tasteless but is very toxic.

If your BIASI B-40 boiler is not working properly, or is not vented properly, dangerous levels of CO may accumulate. CO is lighter than air and thus may travel throughout the building. **BRIEF EXPOSURE TO HIGH CONCENTRATIONS OF CO, OR PROLONGED EXPOSURE TO LESSER AMOUNTS OF CO MAY RESULT IN CARBON MONOXIDE POISONING. EXPOSURE CAN BE FATAL AND EXPOSURE TO HIGH CONCENTRATIONS MAY RESULT IN THE SUDDEN ONSET OF SYMPTOMS INCLUDING UNCONSCIOUSNESS.**

Symptoms of CO poisoning include the following:

Dizziness	Vision problems	Shortness of breath
Headache	Loss of muscle control	Unclear thinking
Nausea	Weakness	Unconsciousness

The symptoms of CO poisoning are often confused with those of influenza, and the highest incidence of poisoning occurs at the onset of cold weather or during flu season. A victim may not experience any symptoms, only one symptom, or a few symptoms. Suspect the presence of carbon monoxide if symptoms tend to disappear when you leave your home.

The following signs may indicate the presence of carbon monoxide:

- * Hot gasses from appliance, venting system, pipes or chimney, escaping into the living space.
- * Flames coming out around the appliance.
- * Yellow colored flames in the appliance.
- * Stale or smelly air.
- * The presence of soot or carbon in or around the appliance.
- * Very high unexplained humidity inside the building.

If any of the symptoms of CO occur, or if any of the signs of carbon monoxide are present, **VACATE THE PREMISES IMMEDIATELY AND CONTACT A QUALIFIED HEATING SERVICE COMPANY OR THE GAS COMPANY AND THE FIRE DEPARTMENT.**

To reduce the risk of CO poisoning, have your heating system "tuned up" by a licensed heating contractor or the gas company - preferably before each heating season. Also have the service company check your chimney or vent pipes for blockage.

The building should be adequately ventilated, particularly if you have tightly insulated your home.

ONLY QUALIFIED, LICENSED SERVICE CONTRACTORS SHOULD PERFORM WORK ON YOUR BIASI B-40 BOILER.

2. General Information:

The Linear series are wet base design, sectional, cast-iron boilers for forced hot water heating systems. The Linear boilers are designed for firing with oil and deliver high efficiencies through unique design and construction.

The Linear series boilers are shipped from the factory in assembled blocks and each boiler can range from 6 to 12 sections. The sections can then be disassembled before delivery to the jobsite by QHT and then field assembled. The boiler jacket, burner and controls are packed separately for shipping.

Note: All equipment should be inspected upon delivery, and any damage or shortage should be reported immediately.

Boiler Model Number	Number of Sections	Heating Capacity	Input Oil G.P.H.	Input Gas MBH	Net Output MBH	Efficiency %	Water Content Gals.	Pressure Drop (in. w.c.)	Length (L) inches	Weight (LBS)
B40/6	6	289	2.40	336	230	86.0	17	4	34.8	902
B40/7	7	352	2.90	406	305	86.7	20	5	39.5	1023
B40/8	8	437	3.60	504	380	86.8	23	7	44.4	1144
B40/9	9	524	4.30	602	456	87.0	26	11	49.2	1265
B40/10	10	610	5.00	700	532	87.2	28	14	53.9	1386
B40/11	11	696	5.70	798	607	87.2	31	18	58.8	1507
B40/12	12	783	6.40	896	684	87.4	34	24	63.8	1628
Maximum Water Working Pressure 72 psi				Maximum Relief Valve is 50 psi @ 900 MBH						

3. Conforming to Codes and Regulations:

Installation of the boiler, burner, oil tank and related equipment must conform to national, state and local regulating agencies and codes applicable to the installation of the equipment. In the absence of local requirements, the following codes apply:

- ANSI/NFPA - #31 Installation of Oil Burning Equipment
- ANSI/NFPA - #70 National Electric Code
- ANSI/NFPA - #211 Chimneys and Vents

The above codes are available from:

National Fire Protection Association (NFPA)
 Battery March Park
 Quincy, Massachusetts, 02269

4. Combustion Air Supply:

The boiler location must provide air for proper combustion and ventilation of the surrounding area. To burn efficiently, oil requires 30 CFM/GAL. In general, boiler rooms should incorporate two (2) permanent air supply openings, one commencing within 12 inches of the ceiling, and one commencing within 12 inches of the floor. These openings should freely communicate with the outdoors.

OUTSIDE AIR: When combustion air is supplied directly through an outside door or wall, each opening shall have a free area of one square inch per 4,000 BTUH input for the total input of all the appliances in the enclosure.

INSIDE AIR: When combustion air is supplied from inside the building, each opening shall have a free area of one square inch per 1,000 BTUH input for the total of all appliances in the enclosure. In no case shall the openings be less than 105 square inches each.

In both cases, check manufacturers ratings for louver net free area, and correct for screen resistance to net free area.

If the boiler is to be installed where the operation of exhaust fans, attic fans, kitchen ventilation systems, clothes dryers or fireplaces may create severe negative vent pressures causing unsatisfactory combustion and venting, special provisions should be made for additional make-up air to supply the other air requirements. If building is of tight construction, combustion air requirements may not be met and combustion air ducts from outside may be necessary. Please refer to NFPA No. 31.

Do not install the boiler until the proper combustion air has been arranged

5. Boiler Location:

Locate the boiler to provide sufficient clearance for inspection, servicing and maintenance. Minimum clearance to construction or combustible materials shouldn't be less than six (6) inches from the top, sides and rear of unit, and eighteen (18) inches from the flue pipe in any direction. Front clearance should be at least twenty four (24) inches. Adequate space must be given to pipe the manifold in and for the smoke pipe to clear the manifold. Greater distances for ease of access should supersede fire protection clearances. The boiler must be located on a non-combustible floor. A smooth, level concrete floor is recommended. Locate the boiler as close as possible to the chimney.

If boiler is installed on combustible flooring, consult local authorities for proper method of covering floor. The boiler must not be installed on carpeting.

Caution: Do not store or use flammable materials, chemicals or flammable liquids, especially gasoline, in the vicinity of this heating appliance.

6. Boiler Block Assembly:

All Linear series boilers are shipped either as an assembled boiler block or a knock-down boiler block. If the block came unassembled, or if the assembled block needs to be split for installation purposes, please read the following:

To assemble split blocks, move the sections into a line facing each other. Sections may be slid along boards placed underneath the sections. Inspect nipple ports for damage or burrs. Remove any burrs by brushing the port very lightly. Wipe the push nipples and nipple ports with a clean cloth. Apply a film of nipple compound to both the nipple and port. Install the nipple in the port and then seal it by hitting it with a rubber mallet. Apply section sealant to one section only and slide sections together. If the boiler came in sections, you will want to draw the sections together 2 or three at a time to insure that the blocks are coming together properly. Install the four draw rods and draw the sections together evenly (measure with yardstick). The longer draw rods should be installed on the top of the boiler. The shorter draw rods are installed on the bottom of the boiler. The bottom draw rods should not extend past the front section. Draw the sections together until sections make iron-to-iron contact at a point around the top and bottom ports of each section. Check to insure that the combustion chamber is sealed using a flash light or other lighting device. Place the flashlight into the combustion chamber and look for light on the floor or surrounding walls (this is best done in a dark room). If light appears out of the boiler use a high temperature caulk to fill in the gaps between the block sections with boiler mastic (sealant).

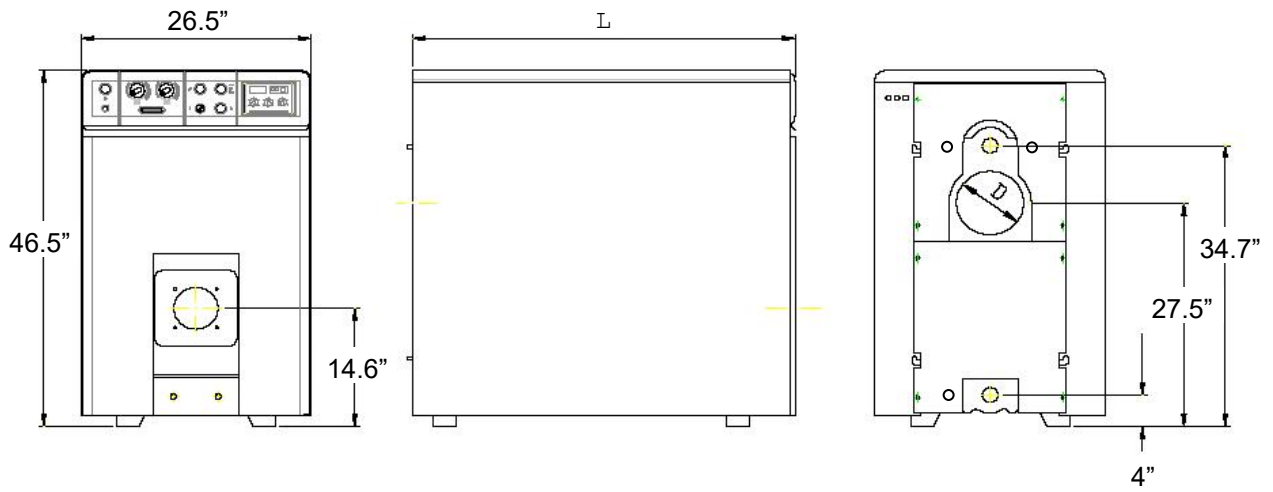
DO NOT OVER TIGHTEN DRAW RODS

7. Installation of Boiler Trim Components:

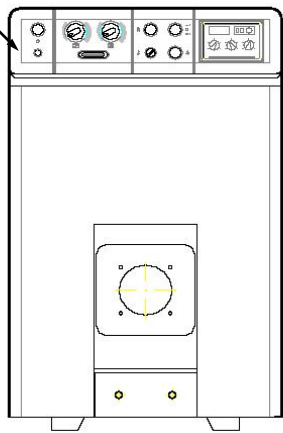
The BIASI B-40 Boiler Trim Kit includes the following components.

1— 3/4" X 3" Nipple	1— Pressure/Temperature Gauge
1— 3/4" Elbow	1— 3/4" Boiler Drain
1— 30 PSI Pressure Relief Valve 3/4" x 1"	1— 3/4"x1/4" Bushing
1— Burner Mounting Hardware	1— 3/4" plug
1— Four Wire LWCO Wire Harness	1— Installation Manual
1— Hydrolevel 550 LWCO	

The above mechanical components should be installed following the diagram of the boiler tappings on the following page. The installation of the above wiring components (wiring harness) will be described in the wiring portion of this installation manual.



Control Panel with operating aquastats



NPT Supply

8" Breech

3/4" Drain

NPT Return

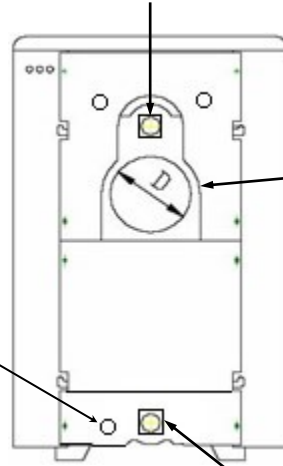


Figure 1:Diagram illustrating the location and function of the front and rear boiler tappings.

Boiler Model	Length (L)	Sup / Ret Size
B-40/6	34.8"	2.5"
B-40/7	39.5"	2.5"
B-40/8	44.5"	2.5"
B-40/9	49.2"	2.5"
B-4/10	53.9"	2.5"
B-4/11	58.8"	2.5"
B-4/12	63.9"	2.5"

8. Burner Setup:

The following information applies only to the BIASI B-40 series boilers at a maximum output for power venters or lined chimneys only.

BURNER MANUFACTURER			Heatwise				
Boiler Model	B-406	B-407	B-408	B-409	B-410	B-411	B-412
Burner Model	P2-KA	P2-K	P2-K	DE-10	DE-10	DE-10	DE-10
Firing Rate	2.2 GPH	2.8 GPH	3.5 GPH	4.25 GPH	5.0 GPH	5.7 GPH	6.4 GPH
Insertion Depth	FULL	FULL	FULL	FULL	FULL	FULL	FULL
Nozzle	2.00 X 45	2.25 X 60	2.75 X 60	3.25 X 60	3.75 X 60	4.5 X 45	5.50 X 45
Spray Pattern	solid	solid	solid	solid	solid	solid	solid
Pump Pressure	140 psi	170 psi	175 psi	175 psi	175 psi	160 psi	140 psi
Head Position	12	16	18	1	1.5	2	2.5
Air Setting	11.50	15.00	18.00	3.5	4.5	5.5	6.75

BURNER MANUFACTURER			Riello				
Boiler Model	B-406	B-407	B-408	B-409	B-410	B-411	B-412
Burner Model	F-10	F-10	F-15	F-15	F-15	F-20	F-20
Firing Rate	2.4 GPH	2.6 GPH	3.6 GPH	4.3 GPH	5.0 GPH	5.7 GPH	6.4 GPH
Insertion Depth	4.5"	4.5"	4.5"	4.5"	4.5"	4.5"	4.5"
Nozzle	2.00X60	2.00X60	2.50X60	3.00X60	3.50X60	4.0X60	4.5X60
Spray Pattern	B	B	B	B	B	B	B
Pump Pressure	145 PSI	200 PSI	200 PSI	200 PSI	200 PSI	200 PSI	200PSI
Turbulator	3.75	4.5	1.8	2.1	2.8	3.1	5
Air Gate	5	6	3	4	5.5	4	3.8

BURNER MANUFACTURER			Beckett				
Boiler Model	B-407	B-407	B-408	B-409	B-410	B-411	B-412
Burner Model	CF 375	CF 375	CF 500	CF 500	CF 800	CF 800	CF 800
Firing Rate	2.1 GPH	2.7 GPH	3.2 GPH	3.7 GPH	4.3 GPH	4.8 GPH	5.3 GPH
Insertion Depth	4.5"	4.5"	4.5"	4.5"	4.5"	4.5"	4.5"
Nozzle	1.75X60	2.00X45	2.75X45	2.75X45	3.25X45	4.0X30	4.0X30
Spray Pattern	ES	hollow	solid	solid	solid	solid	solid
Pump Pressure	140 psi	180 psi	140 psi	180 psi	175 psi	145 psi	180 psi
Head Type							
Head Position	0	2	3	4.5	3	3	4.5
Air Setting	9/0	3/1	7/0	10/0	7/0	8/0	10/2

Good, reliable operation with a minimum of service starts with attention to the small details:

1. Setting the nozzle position and electrodes "by the book" using the manufacturer's gauges.
2. Installing a quality micron filter at the burner.
3. Making careful/tight flare connections without couplings on oil suction line.
4. Checking fuel pump pressure.
5. Checking draft at the breeching to insure it is adequate to overcome flue gas resistance.
6. Setting the air band properly with well maintained instruments. A good target is 11% to 12.5% of (CO₂) or 6.5% to 3.8% of (O₂).
7. Note: Oil and Gas burners on B40-series boilers cannot be properly commissioned without instruments and gauges.

8. Burner Setup:

The following information applies only to the BIASI B-40 series boilers at a maximum output for power venters or lined chimneys only.

BURNER MANUFACTURER		Riello					
Boiler Model	B-406	B-407	B-408	B-409	B-410	B-411	B-412
Burner Model	G400	G750	G750	G750	G750	G900	G900
Fuel	Natural	Natural	Natural	Natural	Natural	Natural	Natural
Input	315	420	527	634	740	847	954
Orifice	C4	NA	NA	NA	NA	NA	NA
Manifold in w.c.	3.5"	1.5"	1.4"	1.5"	1.8"	3.0"	3.3"
Air	2.3	1.8	2.2	2.5	2.8	4.2	4.7
Head	3	1	2	2	3	3.5	4

BURNER MANUFACTURER		Riello					
Boiler Model	B-406	B-407	B-408	B-409	B-410	B-411	B-412
Burner Model	G400	G750	G750	G750	G750	G900	G900
Fuel	Propane	Propane	Propane	Propane	Propane	Propane	Propane
Input	315	420	527	634	740	847	954
Orifice	C14	NA	NA	NA	NA	NA	NA
Manifold in w.c.	3.5"	1.4"	2.1"	2.6"	3.0"	4.9"	6.0"
Air	2	2.6	3.7	3.7	4.1	4	4.7
Head	3	1	3	3	4	4.5	5

Good, reliable operation with a minimum of service starts with attention to the small details:

1. Setting the electrode and flame rod settings against manufacturer's specs to insure proper operation.
2. Installing properly sized gas piping according to BTU input required and length of gas line run.
3. Making sure there is proper manifold pressure before and after the gas valve using a calibrated manometer.
4. Checking draft at the breeching to insure it is adequate to overcome flue gas resistance.
5. Setting the air band properly with well maintained instruments. A good target is 9.5% to 10.5% of (CO₂) or 5% to 2.5% of (O₂) for natural gas, or 10% to 12% of (CO₂) or 5% to 2.5% of (O₂) for lp gas

Note: Oil and Gas burners on B40-series boilers cannot be properly commissioned without instruments and gauges.

To determine how much gas is coming into the burner, or to set the gas meter correctly, the following formula can be used.

The chart to the right can be used to determine the
 $Ft^3/hr = [3600/(sec. Per rev.)]*(Size of gas meter)$

flow rate depending upon the time per revolution and the size of the gas meter dial.

Seconds per Revolution	Size of Gas Meter Dial (Cubic Foot)		
	0.5	1	2
20	90	180	360
25	72	144	288
30	60	120	240
35	51	103	206
40	45	90	180
45	40	80	160
50	36	72	144
55	33	65	131
60	30	60	120

9. Gas Line Piping

Gas supply piping is to be sized and installed properly in order to provide a supply of gas sufficient to meet the maximum demand without undue loss of pressure between the meter and the boiler. It is advisable to run a separate gas line from the meter to the gas burner to avoid pressure drops. Consult with the **National Fuel Gas Code ANSI Z223.1** for proper sizing of gas piping for various lengths and diameters.

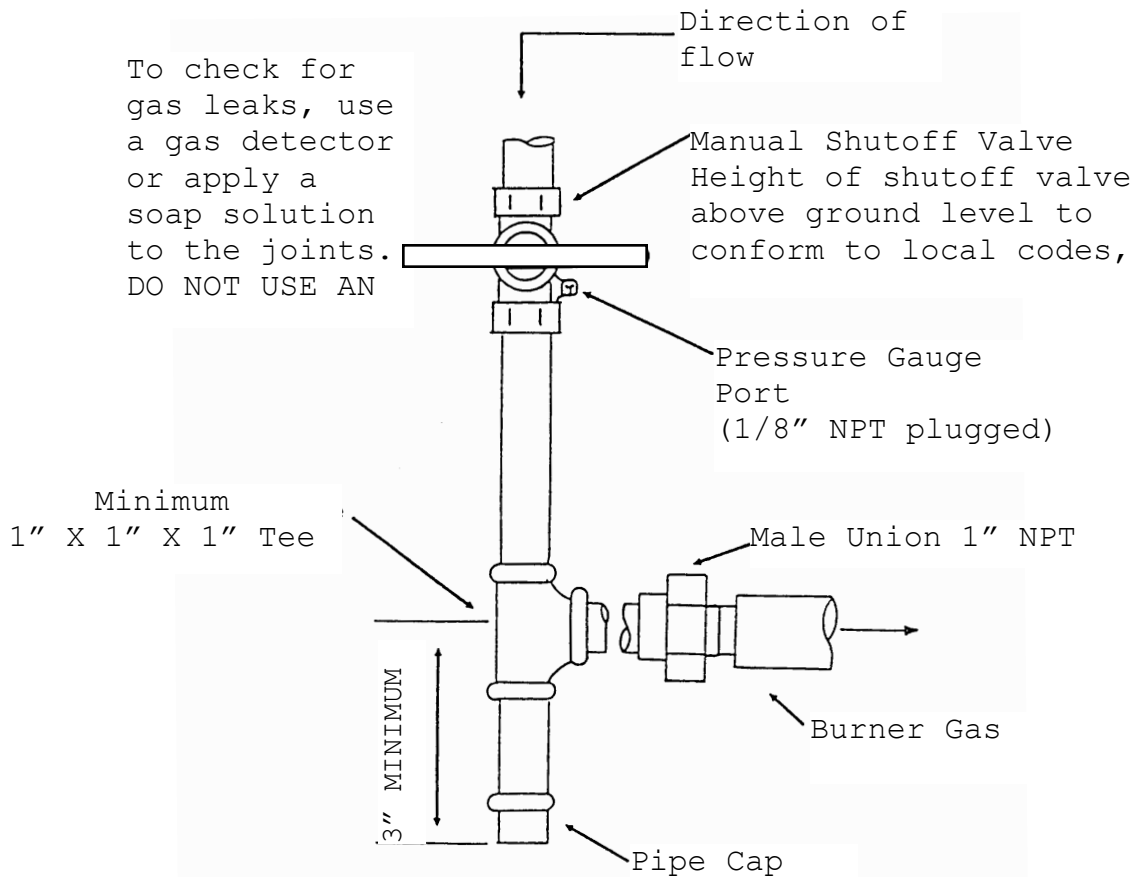
Locate a drop pipe adjacent to, but not in front of the boiler. Locate a tee in the drop pipe at the same elevation as the gas inlet connection to the boiler. Extend the drop line with a nipple towards the floor and cap to form a sediment trap. Install a tee handle shut off valve before the tee with sediment trap and a union after the tee before the combination gas valve.

When installing the boiler, Use black steel pipe and malleable fittings (**do not use cast iron parts**) with a suitable pipe dope which is resistant to liquefied petroleum gases.

Check piping for leaks. Always check leaks with a water and soap solution. **DO NOT USE A FLAME FOR CHECKING GAS LEAKS**

The boiler and its individual shut-off valve must be disconnected from the gas supply piping during any pressure testing of that piping at test pressures in excess of 1/2 psi.

INSTALLATION OF SEDIMENT TRAP AND BURNER SUPPLY



INSTALLATION OF SEDIMENT TRAP AND BURNER SUPPLY

Piping should consist of:

1. A shut off valve approximately 6' away from the unit.
2. A 1/8" plugged NPT tapping for gas pressure measurement preferably on the manual shut-off valve (as shown or anywhere between the gas valve and the shut off value).
Note: The manual shut off valve and tapping are NOT part of the SU-4 Gas Burner. Please make sure you conform to local and state codes.
3. A gas union.
4. A drip pipe.

Caution: *The gas valve should not be subjected to more than 1/2" PSIG. Therefore, the burner should be isolated during high-pressure gas leak tests.* The appliance and its individual shut off valve must be disconnected from the gas supply piping system during any pressure testing of that system at test pressures in excess of 1/2 psig. The appliance must be isolated from the gas supply piping by closing its individual manual shut off valve during any pressure testing of the gas supply piping system at test pressures equal to or less than 1/2 psig.

10. Breeching and Venting:

The B-40 Linear boiler is a high efficiency unit that requires proper venting. The boiler must be vented to the outdoors by means of a tile lined masonry or an approved pre-fabricated chimney of the size and height recommended by the manufacturer or by a listed "power venting" unit which provides draft by mechanical venting .

The chimney discharge opening must be located at least 24 inches above any part of the building structure within 10 feet of the chimney. Be sure the chimney and smoke pipe don't become obstructed by squirrels, bird nests, soot buildup, chimney liner deterioration, etc. The "power ventor" system should be installed on the leeward side of the building. Very specific requirements must be met concerning clearances from combustibles and distances from doors and windows. Please consult with manufacturer of "power ventor" for this information. In any case, the "ventor" must be installed by a licensed burner mechanic and done in accordance with local codes. The B-40 boiler is a very low stack temperature boiler (between 320 and 400F gross stack temp.) so caution should be used when connecting to an outside built chimney. Should you have concern that the flue gases could condense, then you should consider using a listed, "power venting" unit. If "power venting" is used to discharge flue gases, then the power vent unit should be equipped with a postpurge control as well as delay-off, timing control to prevent problems with fogging and nozzle post drip.

Note: 88% steady state efficiency is achieved when flue gas contains over 12.5% CO₂ and the gross stack temp. is below 350F.

The smoke-pipe connection from the boiler to the chimney should be as short as possible, with a minimum number of elbows. The vent pipe must have a vertical rise of at least 1/4 inch per foot of horizontal run. The vent pipe must be of the same diameter as the flue outlet on the boiler. The chimney connector should have a minimum thickness of 24 gauge, corrosion resistant (galvanized) steel, assembled with a minimum of three (3) sheet-metal screws, and sealed with high temperature silicon at each joint. In most cases a barometric draft control isn't recommended as the B-40 is designed to be pressure-fired. However, one may be needed if the boiler is being used in a high draft situation.

10. Blocked Flue Switch: (Canadian Installations Only)

1. Pierce a 5/8" hole into the vent pipe near the appliance outlet. Remove one of the securing nuts from the pipe of the safety switch. Tighten the other securing nut onto the pipe as far as possible.
2. Insert the threaded pipe end into the pierced hole, then install the securing nut, then install the securing nut, which was removed in step 1, and tighten securely.
3. Please consult the wiring section of this manual for the wiring of the blocked flue switch.

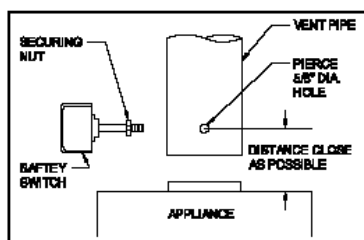


Figure 1

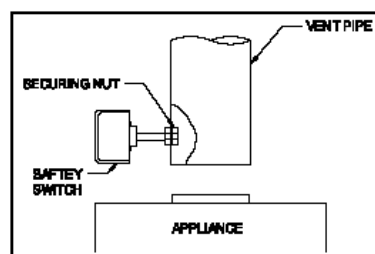


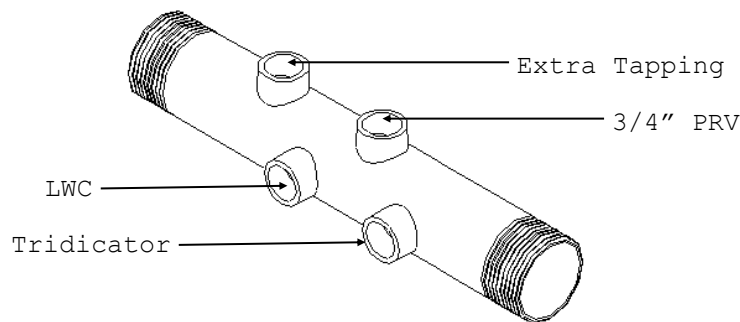
Figure 2

11. Piping:

All piping must conform to state and local codes.

The supply and return for B-40 Linear boilers 2 1/2" NPT. Be sure to provide unions and isolation valves at the manifold inlet and outlet of the boiler, so the boiler may be readily isolated for service.

Each B40 boiler will come with a 4 port supply manifold. This manifold is used to install the Tridicator, PRV, and Manual Reset LWC. The manifold is pictured below.



Install the provided pressure relief valve vertically in the manifold. Pipe the discharge directly to a drain, if possible. If not, the discharge should be piped to the floor. In either case, the discharge pipe should be of the same diameter as the outlet of the relief valve, with no valves or obstructions to impede overflow from the boiler. Install the Tridicator in another port so that it can easily be read. Lastly install the Manual Reset LWC in the header so that it can easily be reached for service. The last port can be used for an alternative accessory or plugged using the 3/4" plug supplied in the trim box.

Install manual and/or automatic air venting devices at the high points in the system to eliminate trapped air.

The weight of all piping should be supported by suitable hangars and floor stands, not by the boiler.

It is recommended that the make-up water line have a backflow preventer and a pressure-reducing valve to reduce line pressure to 10 to 15 psi installed adjacent to the boiler.

NOTE: If the heating system is to be filled with antifreeze, use only formulations expressly made for hydronic heating systems (such as propylene glycol). **Do not use automotive types of antifreeze (ethylene glycol).** Use of antifreeze will alter system output and characteristics. Consult factory rep's for details or assistance.

Clearance for hot water pipes are 1 inch to combustibles.

12. Boiler Jacket Assembly:

NOTE: All piping, boiler controls, gauges and valves must be installed before the jacket has been assembled on the boiler. Refer to the following page to clarify these boiler jacket assembly instructions.

Insert the separate piece of insulation (# 92) on top of boiler so the entire top and sides of boiler are covered. Use plastic strapping to secure the insulation in place. Mount the panel installation bracket (#82) onto the draw-rods on the upper front of the boiler. Install the six spacers (#86) onto the draw-rods. Two on the upper draw rods in the front and the remaining spacers onto the draw-rods in the back of the boiler. Install the rear insulation (#101) onto the boiler. Place the side panels (#66,52) onto the boiler making sure the draw rod spacers are between the side panels and the boiler casting. Tighten the sides of the casing to the panel installation bracket (#82) using sheet metal screws. Screw two studs (#90) into the bottom front of the boiler and screw on the threaded hex spacers (#87) onto the studs. Attach the lower mounting bracket (#83) to the boiler by using two bolts (#89) and screwing them into the threaded hex spacers. Then using sheet metal screws, attach the lower mounting bracket to the sides of the casing. Slide the control panel (#110) onto the casing from the top and secure it to the control panel support (#82) using sheet metal screws. Attach the rear panels (#84,85) using sheet metal screws. Place the top panel (#76) onto the sides of the casing and assure that the pins on the sides are aligned with the retaining holes on the top casing panel. Finally attach the front panel (#81) onto the casing by aligning the retaining pins with the retaining holes. Push to insure a positive connection.

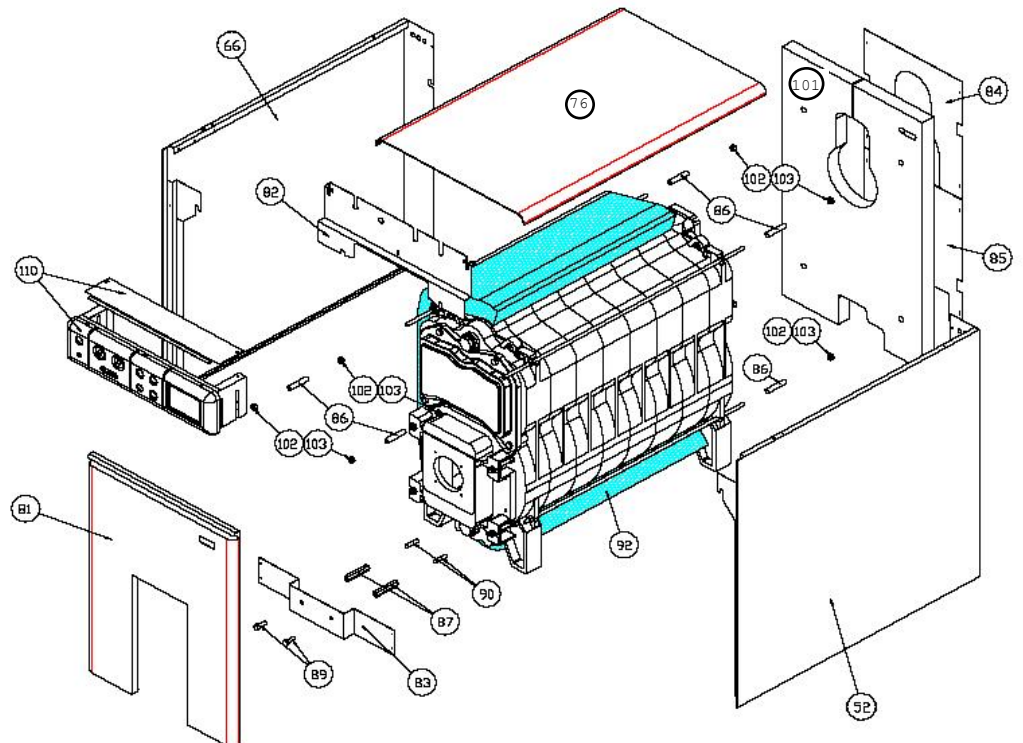
Boiler Components & Parts Vega B40 - Series

Boiler Jacket Assembly:

Part#	Description
84,85	Rear Jacket Panels* ₁
92,101	Insulation
52	Right Jacket Panel
66	Left Jacket Panel
83	Front Jacket Supports
110	Control Panel
82	Control Panel Support
76	Top Jacket Panel
81	Front Jacket Panel* ₂

*₁ Rear insulation not attached, but included with the casing

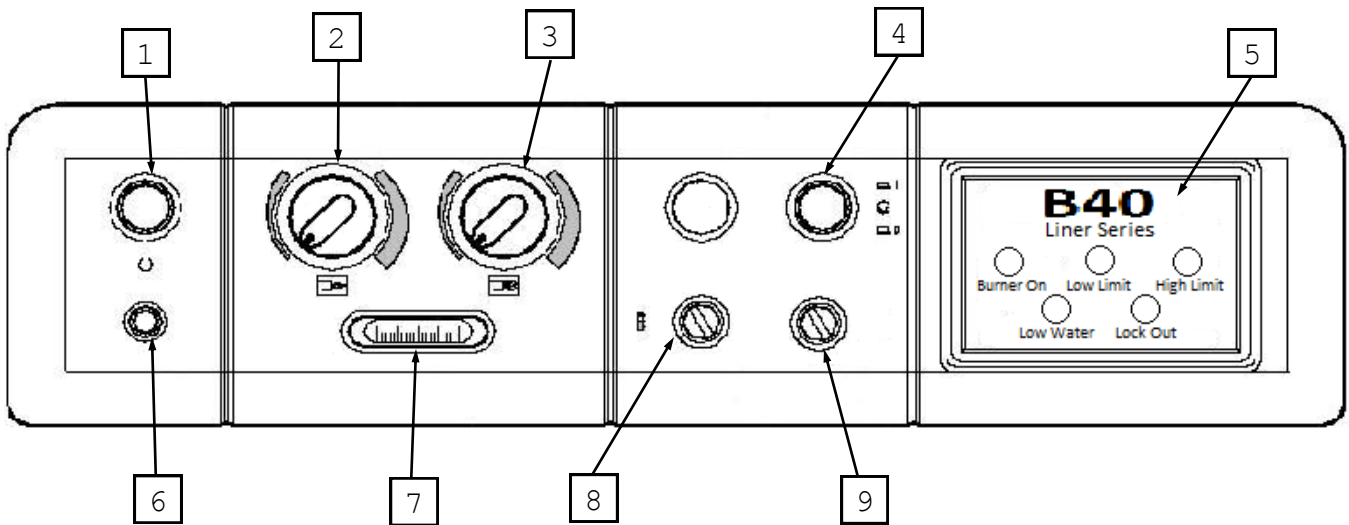
*₂ Front insulation attached to the casing



13. Wiring:

The electricity to the boiler shall come from a dedicated breaker in the electric service box. A service switch should be mounted on the side of the boiler so the burner man can service the burner and controls. The electrical wiring should be routed so as not to interfere with normal servicing of the boiler. Wiring done in the field between devices not attached to boiler shall conform with the temperature limitations for type T wire (63F/35C) or other specified wire as applicable when installed in accordance to manufacturer's instructions and wiring diagrams.

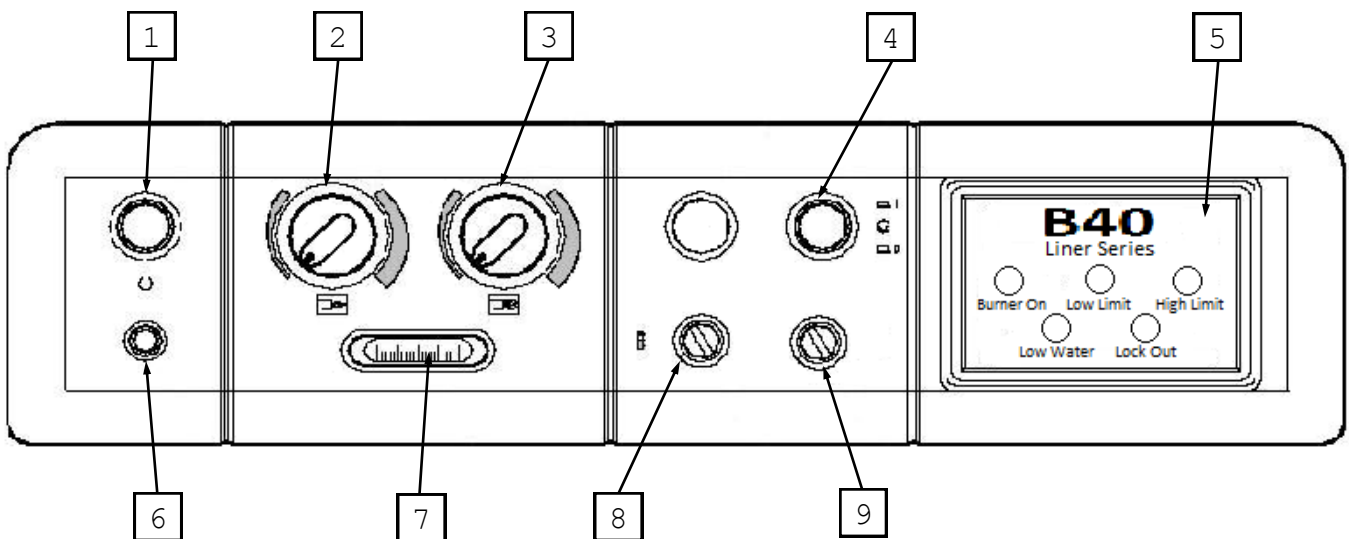
Please refer to the wiring section of this manual for instructions on wiring the supplied control panel.



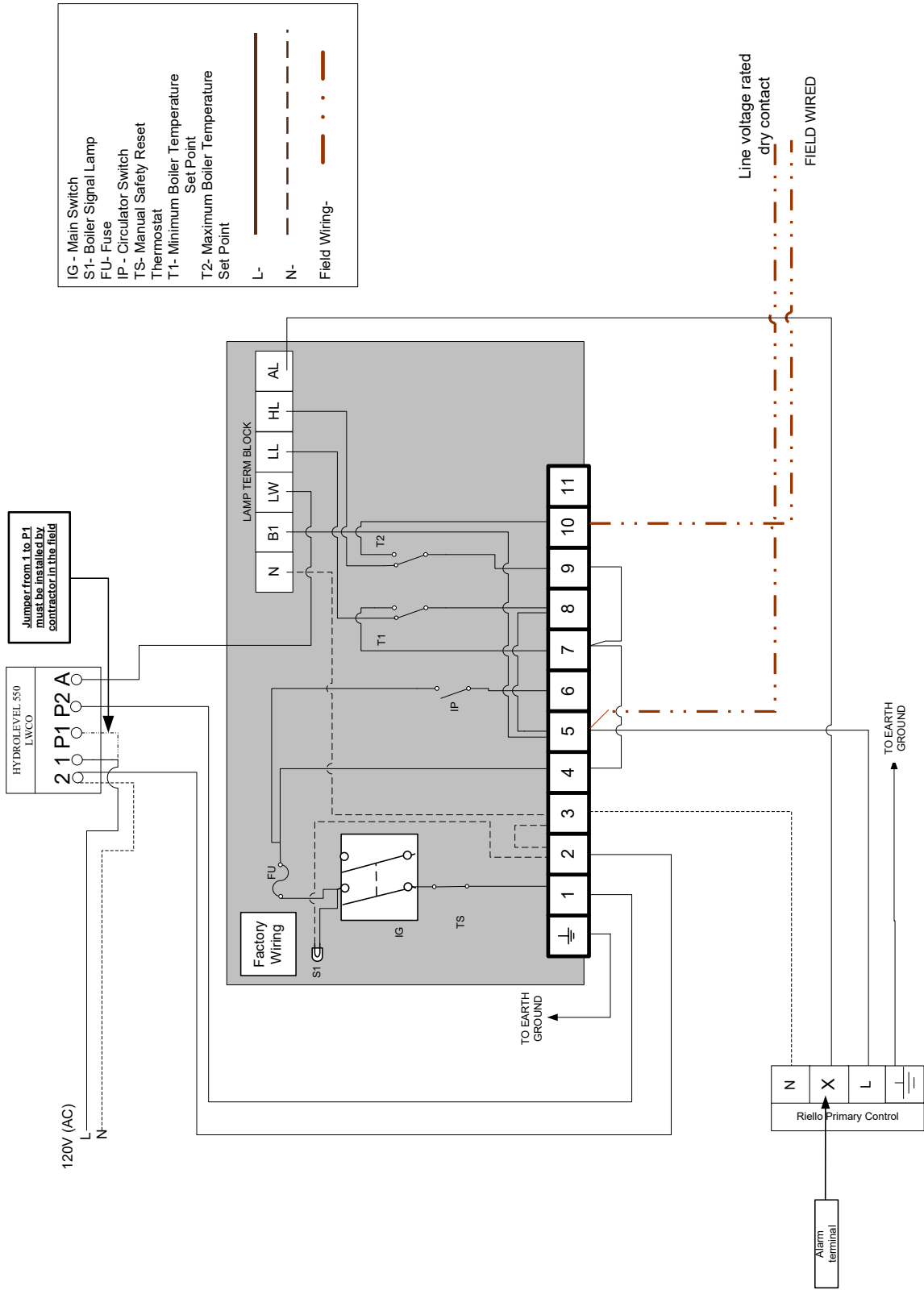
1	On/Off Switch
2	Min. Boiler Temp. Thermostat
3	Max Boiler Temp. Thermostat
4	Circulator Switch
5	Operational Indicator Panel
6	Boiler On/Off Signal Lamp
7	Temperature Gauge
8	Fuse
9	Manual Reset High Limit

CONTROL PANEL DESCRIPTION

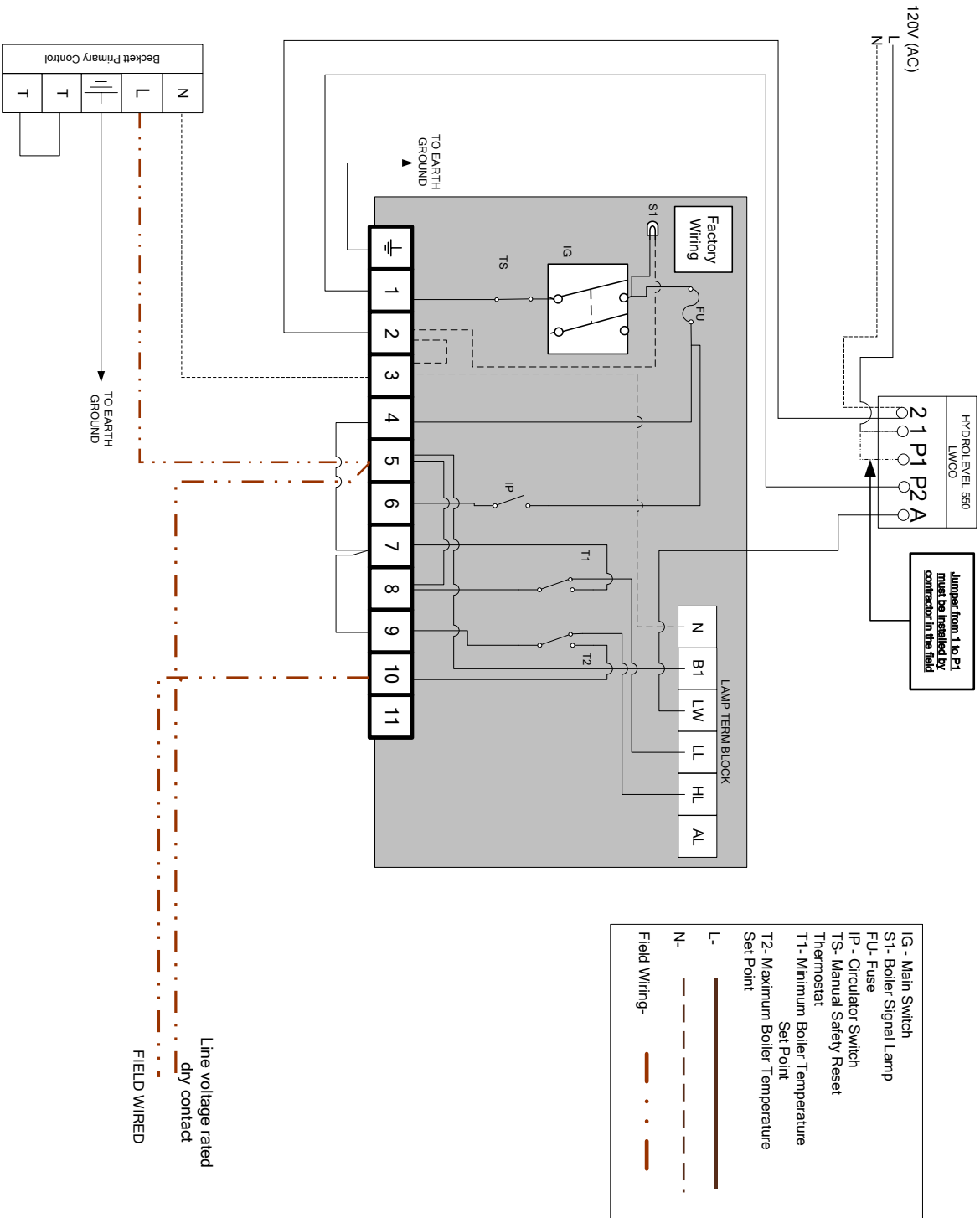
1. **On/Off Switch** — Turns power to control panel on and off and will disable power to the burner assuming the panel is wired correctly.
2. **Minimum Boiler Temperature Thermostat** — Maintains a minimum boiler temperature between 50 degrees F and 170 degrees F.
3. **Maximum Boiler Temperature Thermostat** — High limit temperature setting for boiler between 50 degrees F and 205 degrees F.
4. **Circulator Switch** - Supplies power to boiler circulator or relay panel. It is not suggested to use this switch and it is not utilized in any of the suggested wiring diagrams in this manual.
5. **Indicator Panel** - Indicator panel to show current operating status of the boiler.
6. **Boiler On/Off Signal Lamp** — Signal lamp to indicate whether main power switch is turned on or off.
7. **Temperature Gauge** - Temperature gauge which takes temperature reading from top front of boiler.
8. **Fuse** - Fuse to protect electrical components of the boiler.
9. **Manual Reset High Limit** - Safety high limit that is set to 230 degrees F. If the manual high limit is tripped, use a flat head screw driver to protective cap on reset button. Then depress reset button making sure that it stays depressed once you have removed your finger. Once the switch is reset replace the protective cover.



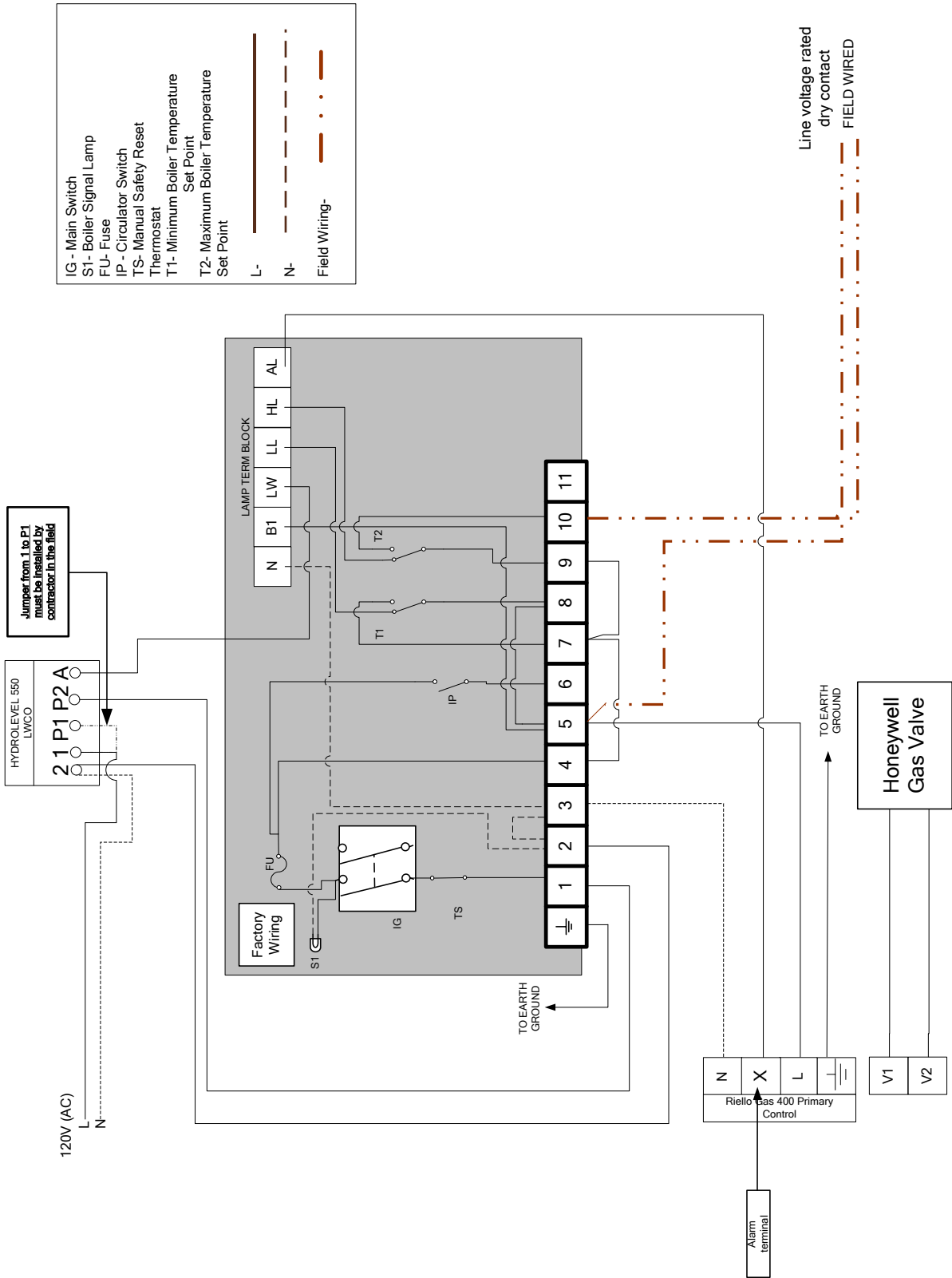
BIASI B40 W/ RIELLO BURNER



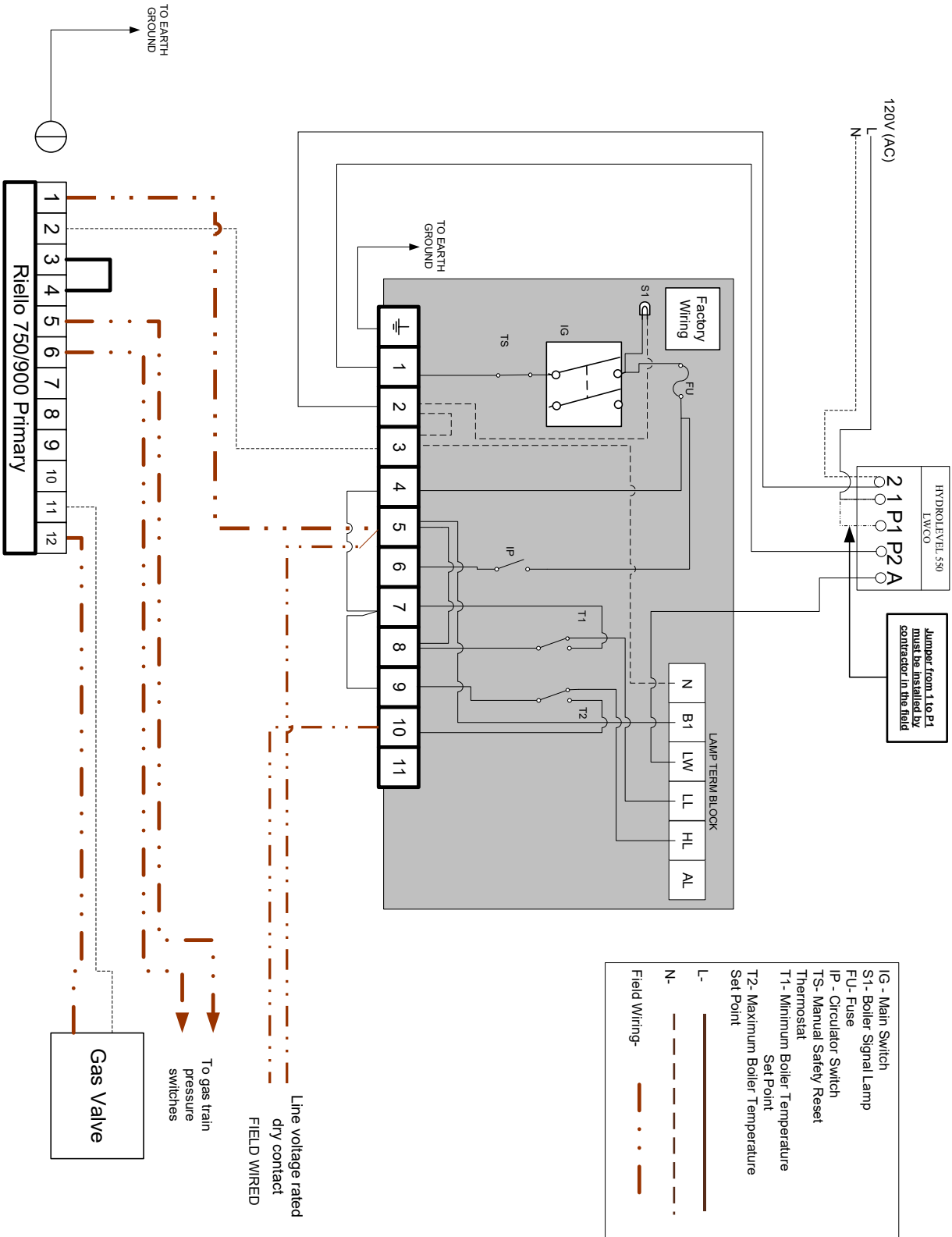
BIASI B40 W/ BECKETT BURNER



BIASI B40 W/ RIELLO 400 GAS BURNER



BIASI B40 W/ RIELLO 750/900 GAS BURNER



14. Commissioning:

After installation of oil/gas-fired boiler, operation and performance tests shall be conducted to make certain that the burner is operating in an acceptable manner and that all safety controls and devices function properly. It is critical that the high limit, low water cutoff and burner "cad cell" relay be checked for normal operation before leaving the job. Refer to the back page of this manual to write down the System Checkout information.

15. Maintenance:

Check for fouling or soot buildup in the combustion chamber at least every twelve (12) months.

Caution: Black carbon soot in the combustion chamber can, under certain conditions, be ignited by a spark or open flame. To prevent this unlikely occurrence, dampen the soot deposits with a wet brush or a fine water spray before servicing or cleaning the combustion chamber. Fouling or carbon soot buildup on the surfaces in the combustion chamber is caused by incomplete combustion, and is a sign of combustion air and/or venting problems. As soon as any fouling is observed, the cause of the fouling should be corrected and the combustion chamber should be cleaned as follows:

Disconnect the electrical power supply to the boiler, burner and controls. Close Fire-O-Matic thermal shutoff valve at burner prior to servicing. Remove the front jacket panel (#9) and the loosen the two (2) front boiler door nuts. Swing the boiler door open. Be careful not to damage the door stud threads or the flexible oil line. Brush and vacuum combustion chamber and flue passages until all deposits are removed. Reassemble components in reverse order, making sure any damaged gaskets are repaired or replaced.

Other maintenance requirements are as follows: Inspect wiring and controls for damage. Insure controls are operating correctly. Inspect oil or gas supply lines for damage, corrosion or leaks. Repair any leaks immediately. Inspect, clean or replace oil filter as specified by manufacturer. Inspect vent and fill pipes for any obstruction, damage or corrosion. Clean or replace as necessary. Lubricate the burner motor if necessary during service. Finally, consult burner manual for specific burner maintenance instructions.

16. Installer Notes

System Checkout:

Boiler Model No. _____ Serial No. _____

Original Purchaser:	Installer:
_____	_____
_____	_____
_____	_____

Burner Manufacturer-----	Type of Oil Burner-----
Burner Model No.-----	Burner Serial No.-----
Nozzle Manufacturer-----	Nozzle Spray Angle-----
G.P.H. -----	Type -----

Burner Performance Tests:

GROSS STACK TEMPERATURE -----

ROOM TEMPERATURE (AMBIENT) -----

NET STACK TEMPERATURE -----

CO2 -----

O2-----

SMOKE READING -----

COMBUSTION EFFICIENCY-----

COMMENTS

Warranty

For BIASI B40 Series Commercial Cast-Iron Water Boilers

FIRST YEAR through TENTH YEAR-WARRANTY FOR B40 SERIES COMMERCIAL HOT WATER BOILERS: QHT warrants that its cast-iron boiler and casing are free from defects in material and workmanship for ten years from the date of installation at the original installation site to the original owner. If the boiler is found to be defective within this period, QHT will replace the boiler block or casing.

ELEVENTH YEAR through TWENTIETH YEAR -WARRANTY FOR THE CAST IRON BOILER BLOCKS OF THE B40 SERIES COMMERCIAL BOILERS: Biasi warrants that the cast-iron sections of the BIASI B40 boilers are free from defects in material and workmanship to the original owner for a period of 20 years. If the B40 boiler section is then found to be defective, QHT and Biasi will replace the defective section of the cast iron boiler block.

This warranty is subject to the condition that a heating contractor whose principal occupation is the sale and installation of heating equipment must have installed the boiler. In addition, the boiler must be installed in accordance with the boiler manual supplied by QHT Inc with every boiler. PARTS, WHICH ARE COVERED, consists of all materials supplied by Biasi. Other parts supplied in the trim kit or in the burner pack carry their own warranty and each manufacturer has responsibility for its own products.

NOTE: ANY PART, WHICH IS REPLACED UNDER WARRANTY, CARRIES ONLY THE UNEXPIRED PORTION OF THE ORIGINAL WARRANTY.

OWNER RESPONSIBILITIES:

1. Provide for proper installation, which includes pressure relief and pressure reducing valves and high limit safety controls on closed systems.
2. Provide qualified periodic service to prolong proper operation and service.
3. Insure that boiler is installed with approved burner and that installation conforms to all codes and ordinances.
4. This warranty does not apply to boilers, which are subject to misuse, abuse, neglect, alteration, accident, excessive temperature, excessive pressure, or corrosive water or atmosphere.
5. Owner will be responsible for return of faulty components to Portsmouth, NH, freight pre-paid.

QHT AND BIASI WILL NOT BE RESPONSIBLE FOR:

1. Components that are part of the heating system, but were not manufactured by Biasi or QHT as part of the commercial boiler system.
2. The workmanship of the installers of Biasi B40 Linear boilers. Furthermore, this warranty does not assume any liability for unsatisfactory performance caused by improper installation.
3. Any costs for labor to remove or replace the faulty component.
4. Improper burner application or adjustments, control settings, care or maintenance.
5. Any damage associated with corrosion or leakage due to the use of "non-barrier", plastic pipe in the heating system.

*THIS WARRANTY DOES NOT EXTEND TO ANYONE EXCEPT THE FIRST PURCHASER AT RETAIL AND ONLY WHEN THE BOILER IS IN THE ORIGINAL INSTALLATION SITE.

*IMPLIED WARRANTIES OF FITNESS FOR A PARTICULAR PURPOSE AND MERCHANTABILITY SHALL BE LIMITED TO THE DURATION OF THE EXPRESSED WARRANTY. BIASI AND QHT EXPRESSLY DISCLAIM AND EXCLUDE ANY LIABILITY FOR CONSEQUENTIAL OR INCIDENTAL DAMAGES FOR BREACH OF ANY EXPRESSED OR IMPLIED WARRANTY.

**THIS WARRANTY GIVES YOU SPECIFIC LEGAL RIGHTS, AND YOU MAY HAVE
OTHER RIGHTS THAT VARY FROM STATE TO STATE.**

For prompt warranty service, notify the installer, who, in turn, will notify the distributor from whom he purchased the boiler. If this does not result in corrective action, contact Biasi through Quincy Hydronic Technology (Address Below) with details in support of the warranty claim. All claims must be processed through proper trade channels. Contact with Biasi directly is not recommended for rapid claim settlement.

Quincy Hydronic Technology,
3560 Lafayette Rd.
Portsmouth, NH, 03801
Tel. (603) 334-6400

