

KAPPA

BOILER SYSTEM

The BIASI KAPPA Series Cast Iron Boiler



- *85% AFUE Cast Iron Atmospheric Gas Boiler*
- *Outputs from 90,000 to 181,000 BTU/HR*
 - *Low-Mass, Wet Leg*
 - *Limited Lifetime Warranty*



QHT
INCORPORATED
The New Style of Warmth



The BIASI KAPPA is a wet leg cold-start, atmospheric gas boiler with a unique and high quality, GG20 Cast Iron heat exchanger. The boiler is encased in thick layer of insulation to reduce heat loss, noise and running costs. These features enable Kappa to supply heat quickly to the heating zones and hot water tank resulting in reduced fuel usage. ASME, AHRI and CSA certified for safety, fuel efficiency and durability.

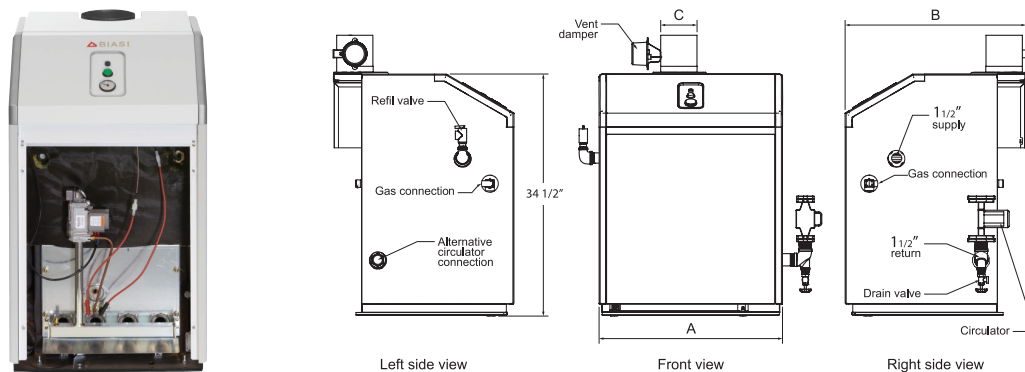
Utilizing “Lo-NOx” multigas, stainless steel burner with intermittent pilot combined with electronic reset, the KAPPA will reduce your home’s fuel bills while lowering emissions of harmful pollutants.

The BIASI KAPPA is easy to install with supply and return fittings on both sides. The front and top casing panels have “push pins” for easy casing removal to expose the burner and control panel. The electrical, safety, and control devices are housed in the control panel.

The BIASI KAPPA boiler has a pre-wired control panel including operating and alert lights.

The Honeywell S9361 controller manages all components including the motorized stack damper, VR8204 valve, temperature limit, circulator, and reset functions.

You’ll enjoy confidence from the KAPPA boilers Limited Lifetime Warranty.



Technical Advantages

- CSA Listed, AHRI Certified
- Supply and Return Piping From Either Side
- Wet Leg Heat Exchanger Design
- ASME Rated to 58 PSI
- GG20 Cast-Iron Construction
- Limited Lifetime Warranty on Boiler Block
- Industry Standard Components

Technical Components

- Stainless Steel Burners
- Intermittent Electronic Pilot Ignition
- Honeywell Control and Gas Valve
- Motorized Stack Damper
- Grundfos Circulator
- Standard Boiler Trim
- Low Water Cut-Off

Warranty

Limited Lifetime Warranty

Boiler Model #	QTY of Sections	Gross Input Burner Capacity GAS (MBH)		Gross Output (MBH)		Net Output (MBH)		Efficiency GAS (%)	Dimensions (inches)			Water Content (Gal.)	Weight (Lbs.)
		Natural	Propane	Natural	Propane	Natural	Propane		A	B	C		
K-27R	4	106	94	91	80	79	70	85.0	19 3/4	25 3/4	5	3.3	249
K-35R	5	141	125	121	107	105	94	85.0	19 3/4	25 3/4	6	4.0	308
K-44R	6	177	157	151	134	132	117	85.0	25 3/4	25 3/4	6	4.6	367
K-53R	7	213	188	182	161	159	141	85.1	25 3/4	25 3/4	7	5.2	427

